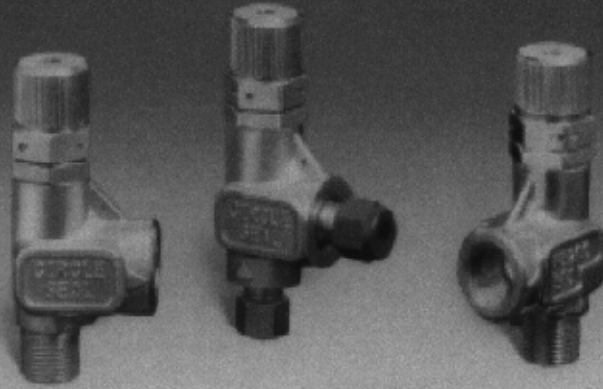


R5200 SERIES

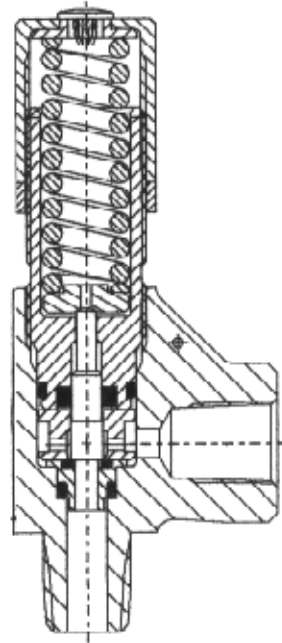
50 - 4,500 PSI RELIEF VALVE



FRED C. GILBERT CO.
661-399-9569
FAX 393-9654

Features

- Zero-Leak
- External Adjustment
- Optional Factory Pre-set
- Accurate Set Pressure
- 4 Springs to Cover Entire Pressure Range
- 100% Seat Leakage Tested
- 316 Stainless Steel or Brass Construction
- Stainless Steel Internal Construction
- All Internal Parts Interchangeable
- NPT and Instrument (Double Ferrule) Fittings
- Lockwire Capability Standard
- Teflon® Cap Seal



Technical Data

Materials of Construction

Body — 316 Stainless Steel or Brass
Spring — 17-7 Ph Stainless Steel
Seals — Viton® Standard

Temperature Range

-65°F to +400°F; -54°C to +204°C

Teflon® and Viton® are registered trademarks of DuPont.

Pressure Ratings

Brass — 50 to 4000 PSIG
St. Steel — 50 to 4500 PSIG

Port Size

1/4" to 3/8"

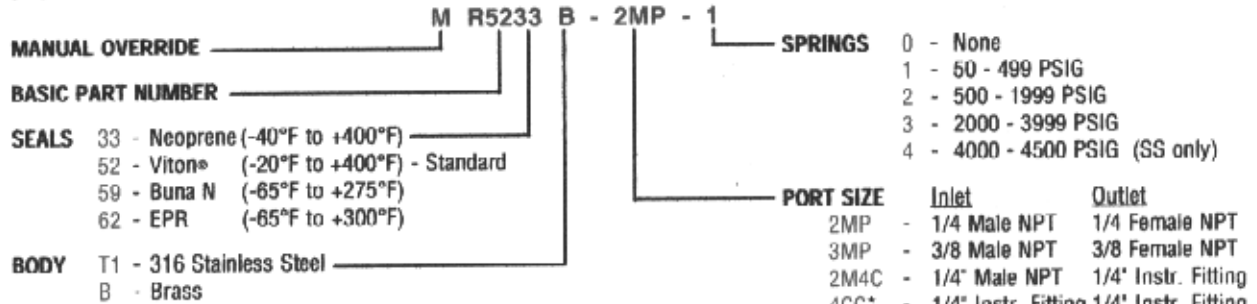
R5200 SERIES

50 - 4,500 PSI

FRED C. GILBERT CO.

661-399-9569 * FAX 393-9654

How To Order



Note: Cracking pressure is only sensitive to inlet pressure and is not affected by outlet pressure. Please consult your Circle Seal Controls Representative or our factory for information on special connections, operating pressures and temperature ranges.

Spring Kits

Contains Spring & Label

Spring #	Pressure
37256 - 1	50 - 499 PSIG
- 2	500 - 1999 PSIG
37256 - 3	2000 - 3999 PSIG
- 4	4000 - 4500 PSIG (R52XXTI only)

Manual Override Kit

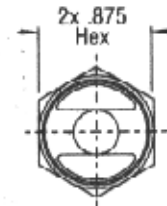
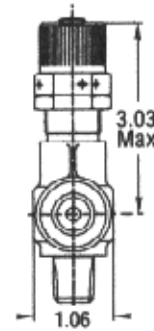
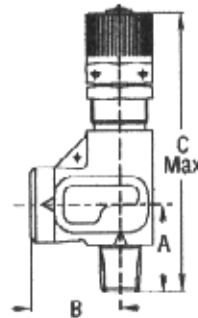
23013

Seal Kits

K/R5233	Neoprene
K/R5252	Viton®
K/R5259	Buna N
K/R5262	EPR

Dimensions

Model No.	A	B	C
-2MP	1.19	1.19	4.35
-3MP	1.19	1.19	4.35
-2M4C	1.19	1.59	4.35
-4CC	1.44	1.59	4.60



Flow Curves

